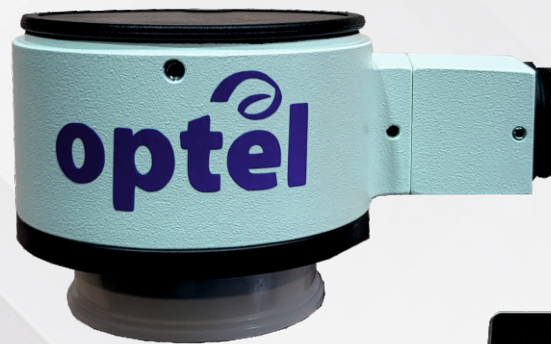
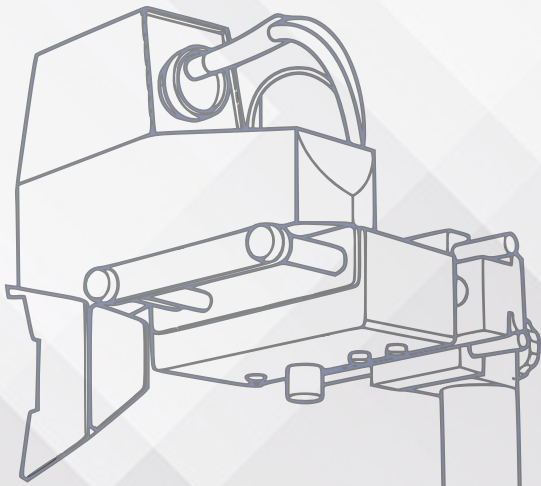
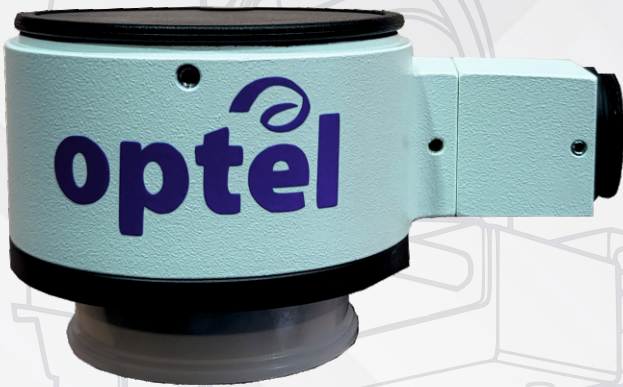


# **SURGICAL MICROSCOPE CAMERA ATTACHMENT**

## WITH FULL HD MEDICAL CAMERA



## Single Beam Splitter



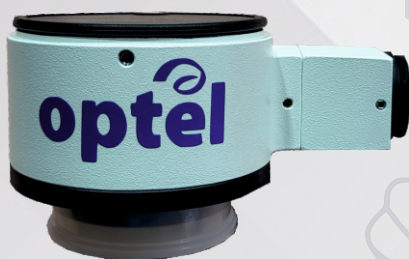
- Single Beam Splitter (SBS) for CCD cameras
- 70:30 Beam Splitter prism
- High quality imported optics
- Integrated imported focus lens
- Fine focus adjustment control

## FULL HD MEDICAL CAMERA

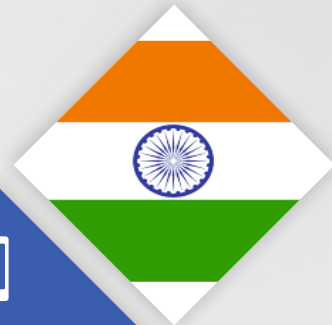


- 21 MP Panasonic CMOS sensor
- 4K Video recording
- Electronic Zoom
- IR Remote control
- TF card storage upto 64GB
- Full metal shell with compact design

## COMBO



We provide Single Beam Splitter (SBS) with mVIEW-200 Full HD Medical camera which provides very high quality surgical video recordings. Our SBS and Camera combination provide lightweight compact imaging solution for your surgery video/images capturing and live view.



+91 9302 778 762  
+91 9111 429 222



export@mediequipbazar.com  
info@mediequipbazar.com



+91 9302 778 762  
+91 9111 429 222



## MANUFACTURING UNIT

Plot No. 23-B, Badiyakhedi  
Industrial Park Phase I,  
Badiyakhedi, Sehore, M.P.,  
India - 466 001



### MANUFACTURING UNIT

Plot No.-40, KI Ansal  
Green, Kolar Road  
Bhopal-462042



### MANUFACTURING UNIT

Plot No. - 79, Commercial  
Shade, Near D-Mart,  
Bhopal, 462042



[www.mediequipbazar.com](http://www.mediequipbazar.com)  
[www.optelsurgical.tw](http://www.optelsurgical.tw)



### REGISTERED OFFICE

#### MEX ENTERPRISES

ISO 13485 :2016 & ISO 9001 :2015 Certified Company

Plot No. 50/1B-50/2B, Rajharsh Colony,  
Near CI Square Shopping Mall, Kolar Road,  
Bhopal, M.P.-462042

### SALES OFFICE

#### MEX ENTERPRISES

ISO 13485 :2016 & ISO 9001 :2015 Certified Company

Building Name - Classic's, T-1895/1,  
Upper Ridge Road, Karol Bagh,  
New Delhi - 110005

### SALES OFFICE

#### MEX ENTERPRISES

ISO 13485 :2016 & ISO 9001 :2015 Certified Company

House No.-10/806, Shivanand Nagar,  
Jhanda Chowk, Raipur CG-492008